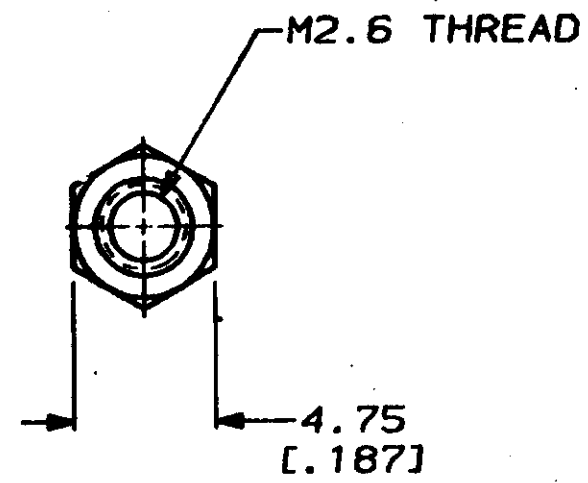
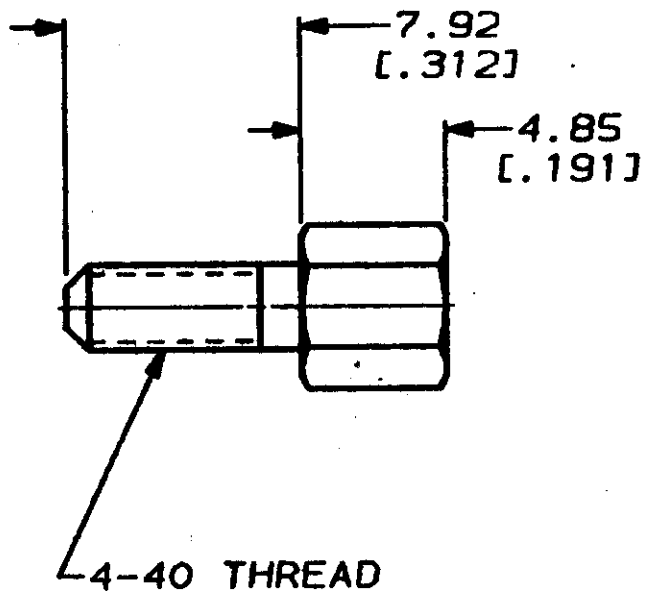


THIS DRAWING IS UNPUBLISHED. RELEASED FOR PUBLICATION .19
 © COPYRIGHT 19 BY AMP INCORPORATED. ALL INTERNATIONAL RIGHTS RESERVED.

REV	LOC	QTY	P	F	ZONE	LTR	DESCRIPTION	DATE	APPD
2	BD	39				0	RLSE PER NPR 2454, WAS 89-5898-11	08/18/89	-
			✓	✓		A	OBSOLETE -2 PER ECN BD5374	08/12/91	NS



- 1 3.81µm [.000150] MIN ZINC PLATE PER ASTM B633, TYPE II, CLASS SC1, YELLOW CHROMATE.
- 2 3.81µm [.000150] MIN ZINC PLATE PER ASTM B633, TYPE III, CLASS SC1, CLEAR CHROMATE.

	2	749765-3
OBSOLETE	1	749765-2
FINISH		PART NO

DO NOT SCALE PRINT. UNLESS SPECIFIED DIMENSIONS IN mm (INCHES) TOLERANCES ON: 2 PLC DEC ± 0.13 (.005) 3 PLC DEC ± - ANGLES ± 2°	DR 08/16/89 L. SIFE	AMP INCORPORATED Harrisburg, Pa. 17105
	CHK 8-20-89 R. STONE	
MATERIAL CARBON STEEL PER ASTM A109	APPD 8-20-89 J. MESTRAH	NAME SCREWLOCK, M2.6 FEMALE, AMPLIMITE®
FINISH SEE TABLE	APPD 8-20-89 J. SIMERS	SIZE B
	PRODUCT SPEC -	CAGE CODE 00779
	APPLICATION SPEC -	DRAWING NO 749765
	WEIGHT -	SCALE 4:1
		SHEET 1 OF 1

CUSTOMER DRAWING